

DESK - SINGLE ARM

AVAILABLE IN 2 MODELS



BOLT DESK LAMP - SINGLE ARM - WITH CLAMP



BOLT DESK LAMP - SINGLE ARM - WITH FOOT

DESK - SINGLE ARM

INFORMATION

GENERAL INFORMATION

DESIGN BY	Anton de Groof, 2013
MATERIALS	Steel & aluminium
PRODUCT	3. Bolt desk lamp - single arm - with foot 4. Bolt desk lamp - single arm - with clamp
DESCRIPTION	Desk lamp in coated steel, shade in coated aluminium. Lamp head and lamp arm adjustable with special wingnut.
TOTAL WEIGHT	8,01 kg - with foot 1,87 kg - with clamp

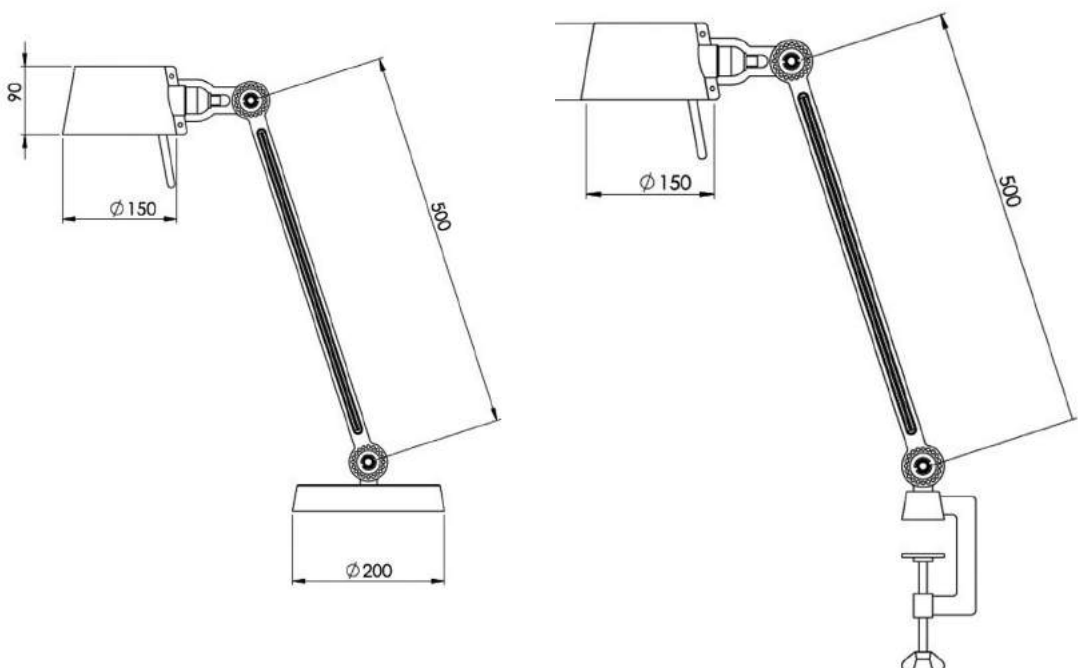
TECH. SPECIFICATIONS

INPUT	200-240 V
MAX. WATT	Max. 60 Watt
LIGHT BULB	E27

POSITIONS

The lamp can be adjusted at all its joints. This gives endless possibilities to the position of the

DIMENSIONS



IN THE PACKAGE

- 01** A special wingnut shaped tool to adjust the lamp
- 02** Depending on the model, this lamp comes with a clamp or a foot

GOOD TO KNOW

- | | |
|--------------------|---|
| ENVIRONMENT | Special waste handling may be required please contact your local authorities for more information |
| CLEANING | Wipe clean with a dry cloth |
| SAFETY | Minimum safe distance to illuminated object: 30 cm |

COLORS

The Bolt desk lamp is available in 7 colors.